



# LIFTOFF

Leading the lifting game since 2002



Distribútor pre Slovensko:

R&J spol.s.r.o.

919 23 Vlčkovce

[www.randj.sk](http://www.randj.sk)



Workshop Essentials 2024\_v1.4 





Automechanika Frankfurt



CV Autoteile GmbH - Gummersbach



THE DRIVING FORCE BEHIND:



## Lifting & handling solutions since 2002

### Reaching new heights

Winntec (Est. 2002) is a manufacturer, esteemed developer and international supplier of high quality, efficient and reliable automotive workshop "essentials", available in automotive and industrial markets in Europe, North America, Southern Africa and Pacific Asia. The ranges are "priced right" and backed up by outstanding customer service, sales & marketing support. Today we manufacture in Asia and Europe.

### Our mission

Build the best products! Their quality, safety and ease of use are – and remain – at the heart of our operations.

### Our vision

Lifting, handling and transportation, that's exactly where our focus needs to be the next years. We recognize the challenges that the mechanics (both in the shops and on the road) are experiencing. Heavy objects (vehicles & parts) will grow in number and we see it as a responsibility to bring affordable problem solvers that will save time and greatly reduce the risk of injuries.

### Our history

We decided to rebuild the hydraulic floor jack from scratch. The result was an all new, service friendly design that showed a clever mix between superb American and European characteristics and functionality. Turbo Lift and Auto Shift are just two of the amazing technologies that Winntec introduced ever since.

### Our achievements

Meanwhile, our products find their way to more than 60 countries worldwide! It are (premium) car dealerships, tire service specialists and transport companies that use our products day in, day out. Our patented Smart Cart was one of the three finalists during the innovation award competition at Frankfurt Automechanika.

### Our approval

Winntec products are designed & manufactured in compliance with NEN-EN 1494:2001+A1:2008

### Third party certified

All of our best selling floor jacks passed third party CE Certification

### Winntechnology

Check out our Winntechnology videos, highlighting our distinctive technology.

FOR FURTHER INFORMATION AND CONTACT, VISIT [WINNTEC.NET](http://WINNTEC.NET)



No rights can be derived from the contents of this folder. Images shown may differ from reality. Print and text errors reserved. \* Excludes wear and tear.



# Wheel Service

## Y471148 HD Dominator - Smart Cart

Our new **DOMINATOR** cart with **patented tilting system**, suits the tire techs that transport tires and wheel sets all day long in- and around the shop and at racetracks. It picks up even bigger wheels and its integrated kick pedal ensures a quick release of 'the load' on smooth surfaces. The redesigned, stronger, sleeker arms in **STAINLESS**, guarantee a perfect catch and grip of the heaviest wheel sets.

**DOMINATOR** includes a bracket set allowing the user to install a single Winntec Smart Disc at the back of the frame. 2 Rubber grips positioned at the top of the vertical posts further improve ergonomics while tilting. **DOMINATOR** has been equipped with rigid rubber wheels that show an aluminum core and industrial ball bearings to improve rolling resistance.

**PATENTED technology! 10 YEAR LIMITED WARRANTY!**

### Main features

- Superior ergonomics
- Cast aluminum rims with old rubber tires 10\*2 - 65 shore
- Integrated kick pedal
- Handles tires and wheel assemblies
- **Configurable height!**

### Specifications

|                  |             |
|------------------|-------------|
| <b>Height</b> =  | 1385 mm     |
| <b>Width</b> =   | 610 mm      |
| <b>Depth</b> =   | 695 mm      |
| <b>Range Ø</b> = | up to 83 cm |
| <b>Weight</b>    | 220 kg      |
| <b>Weight</b>    | 23,3 kg     |



**Configurable height**

BMW XM  
315/30/R23  
WHEEL DIAMETER  
78 CM  
**EFFORTLESS!**

RIVIAN R1T  
275/50/R22  
WHEEL DIAMETER  
83 CM  
**EFFORTLESS!**

## Y471148-EXT Extender Kit

The extender bolts down to the top of the DOMINATOR. Highly recommended **optional accessory** for the shops and warehouses that transport large stacks of tires.

## Y471123 - Smart Disc

Keep those wheel sets mobile in your showroom and workshop! Stack, roll and grab them with (or without) your Smart Cart.

### Specifications

|               |        |
|---------------|--------|
| <b>Ø</b>      | 68 cm  |
| <b>Weight</b> | 160 kg |
| <b>Weight</b> | 3,7 kg |



Works perfectly together with our Smart Carts



WATCH DEMO



WATCH DEMO



SOLD 50.000!

## Y472270 - Wheel Assist ERGO+

Best in combination with 2-post and other high rise lifts. Allows operator to install wheels at chest height. Delivered with quick install ramp, foot step and sliding rollers that ensure a safe working distance from the vehicle.

Operating as a standalone piece of workshop equipment, that doesn't require charging or linking up to a power source, the Winntec® Wheel Assist has powerful gas springs that enable workshop technicians to quickly and easily remove and replace wheels while in an ergonomically correct position (chest height). This unique, patent pending product, guarantees an optimal balance between mechanical force and physical user input.

### Main features

- The professional's choice
- The power of simplicity
- Maintenance free
- Fender protection

### Specifications

|               |           |
|---------------|-----------|
| <b>Height</b> | 1800 mm   |
| <b>Width</b>  | 685 mm    |
| <b>Weight</b> | Max 45 kg |
| <b>Weight</b> | 42 kg     |



Our carts and wheel assist form a great team.

## Y471147 HD Classic - Smart Cart

**The Cart that changed the industry!**

This long life, light weight, high capacity cart allows the tire fitter to maneuver heavy wheel sets in the most ergonomic way with the help of its **patented tilting system**. The unique push-slide-secure automatic locking system eliminates the need for inefficient, wear sensitive, foot operated - or hand controlled jaws.

The light yellow colored foam filled tires are maintenance free and leave no traces on the work shop floor. The cart has been developed in partnership with some of Europe's leading tire service chains. It comes in powder coated steel (robotic welding) with high strength components and an exceptional 3 year warranty period.

**PATENTED technology! 3 YEAR LIMITED WARRANTY!**

### Main features

- Superior ergonomics
- Flat-free tires leave no stripes
- Handles tires and wheel assemblies

### Specifications

|                  |             |
|------------------|-------------|
| <b>Height</b> =  | 1385 mm     |
| <b>Width</b> =   | 610 mm      |
| <b>Depth</b> =   | 695 mm      |
| <b>Range Ø</b> = | up to 76 cm |
| <b>Weight</b>    | 220 kg      |
| <b>Weight</b>    | 20,5 kg     |



WATCH DEMO



SOLD 50.000!

BMW X4  
275/35/R21  
WHEEL DIAMETER  
73 CM  
**EFFORTLESS!**

VOLVO XC90  
245/75/R20  
WHEEL DIAMETER  
75 CM  
**EFFORTLESS!**





# LIFTOFF

- ALBERT PARK CIRCUIT
- AUTODROMO HERMANOS RODRIGUEZ
- AUTÓDROMO JOSÉ CARLOS PACE / INTERLAGOS
- AUTODROMO NAZIONALE MONZA
- CIRCUIT DE CATALUNYA
- CIRCUIT DE MONACO
- CIRCUIT GILLES-VILLENEUVE
- CIRCUIT OF THE AMERICAS
- CIRCUIT PARK ZANDVOORT
- HUNGARORING
- LAS VEGAS STREET CIRCUIT
- MARINA BAY STREET CIRCUIT
- MIAMI STREET CIRCUIT
- RED BULL RING
- SILVERSTONE
- SPA FRANCORCHAMPS



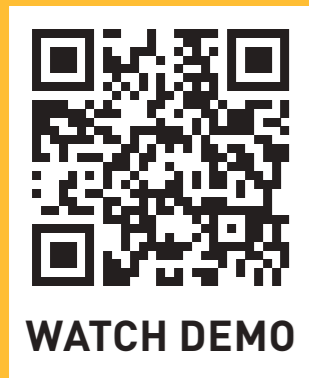
We <sup>Sold!</sup> 500,000 Jacks  
 Leading the lifting game since 2002



EXPLORING WINNTECHNOLOGY



**WINNTEC.NET**





### TURBO LIFTER. SHIPPING FRIENDLY **JTM220000 2,2T**

DESIGNED FOR THE PRO - AVAILABLE TO ALL!

#### MAIN FEATURES

1. TWO PIECE DETACHABLE HANDLE
2. LIFTING RANGE: 75 - 465 MM
3. HEAVY DUTY STEEL CONSTRUCTION
4. DUAL PISTON PUMP AND FOOT PEDAL FOR EASY LIFTING
5. WIDE FRONT WHEELS PROVIDE OAD CONTROL
6. RUGGED UNIVERSAL JOINT FOR PRECISE LOAD CONTROL
7. RUBBER SADDLE PAD
8. HANDLE BUMPER
9. POLYAMIDE WHEELS



#### Specifications

|           |         |
|-----------|---------|
| Width =   | 340 mm  |
| Length =  | 700 mm  |
| Min. H. = | 75 mm   |
| Max H. =  | 465 mm  |
| Weight =  | 2,2 T   |
| Weight =  | 28,5 kg |



### TURBO LIFTER. SHIPPING FRIENDLY **JTM300000 3T**

DESIGNED FOR THE PRO - AVAILABLE TO ALL!

#### Specifications

|           |        |
|-----------|--------|
| Width =   | 335 mm |
| Length =  | 615 mm |
| Min. H. = | 130 mm |
| Max H. =  | 470 mm |
| Weight =  | 3 T    |
| Weight =  | 31 kg  |



#### MAIN FEATURES

1. TWO PIECE DETACHABLE HANDLE
2. LIFTING RANGE: 130 - 470 MM
3. RUGGED UNIVERSAL JOINT FOR PRECISE LOAD CONTROL
4. DUAL PISTON PUMP FOR FAST LIFTING
5. HEAVY DUTY STEEL CONSTRUCTION
6. WIDE FRONT WHEELS PROVIDE LOAD CONTROL
7. HANDLE BUMPER
8. RUBBER SADDLE PAD
9. POLYAMIDE WHEELS



### MOBILE ENERGY. MOBILE AIR. **JTM200010 12V**

DESIGNED FOR THE PRO - AVAILABLE TO ALL!



1. START BOOSTER: 2000A
2. COMPRESSOR AUTO-START-STOP: 10 BAR
3. HIGH CAPACITY POWER BANK: 55.5WH
4. MULTIFUNCTIONAL LED LIGHT

### **JTM400000**



#### MAIN FEATURES

1. PREMIUM SWIVEL CASTERS WITH 2 LOCKS
2. CARBON STEEL INNER FRAMING
3. COMFORTABLE HEIGHT
4. CRADLE STYLE SEATING
5. ONBOARD STORAGE
6. SEAT DIMENSIONS: 455 H 255 MM

#### Specifications

|          |        |
|----------|--------|
| Width =  | 422 mm |
| Length = | 642 mm |
| Height = | 332 mm |
| Weight = | 130 kg |
| Weight = | 5,5 kg |





# Lifting Equipment

## Y411350 - Full Aluminum Jack

Winntec's popular alloy floor jack has been dominating the European market for the last 20 years. The ball bearing-mounted rear wheels and wide track front wheels provide easy maneuverability and stability under load. A newly designed saddle pad (as subscribed by several European car makers) protects the vehicles bodywork and components.

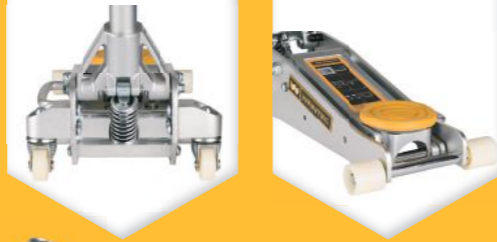
Thick frame side plates and a reinforced lift arm result in added strength. A bypass and overload valve prevent from over-extension of hydraulic ram and jack use beyond rated capacity. The 2-pc. handle with quick lock offers easy storage. Heavy duty nylon wheels keep the jack's general weight below 10kg.

### Main features

- Just 10 kg
- Nylon wheels
- Rubber pad



| Specifications |        |
|----------------|--------|
| Min. H. =      | 80 mm  |
| Max H. =       | 375 mm |
| Width =        | 236 mm |
| Length =       | 501 mm |
| T              | 1,35   |
| KG             | 10     |



## Y411202

Light weight design combined with TURBO LIFTER technology. The PU wheels minimize noise and potential (showroom) floor damage. The jack starts at 86mm and reaches 418mm maximum height.

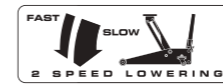
### Main features

- 2 SPEED LOWERING
- Light weight
- Turbo Lifter System
- Foot pedal
- PU wheels
- Rubber pad



**NEW!**

Y490000  
**GUARANTEED PERFECT FIT!**  
Y490010EV



| Specifications |        |
|----------------|--------|
| Min. H. =      | 86 mm  |
| Max H. =       | 418 mm |
| Width =        | 282 mm |
| Length =       | 625 mm |
| T              | 2      |
| KG             | 22     |

## M411355 - Winntec Motion Jack

A light-weight jack with advanced features at a consumer price point. **Designed for the pro - available to all!**

### Main features

- 2 SPEED LOWERING
- Ultra light jack
- Turbo Lifter System
- Color box
- Rubber pad



| Specifications |        |
|----------------|--------|
| Min. H. =      | 90 mm  |
| Max H. =       | 360 mm |
| Width =        | 247 mm |
| Length =       | 481 mm |
| T              | 1,5    |
| KG             | 14,2   |



## Y420222 - Low Profile Jack

Low profile jack with **integrated jack stand function** and hold to run control. 75mm entrance height, Turbo Lifter, handle bumper.

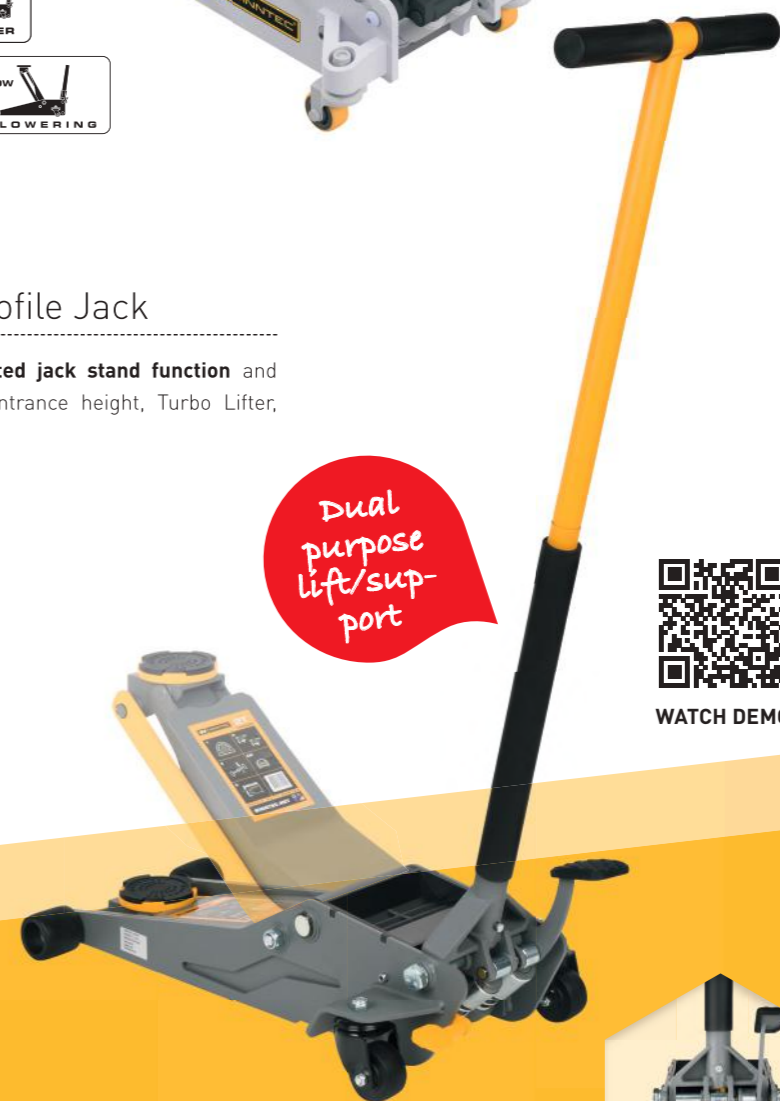
### Main features

- 2 SPEED LOWERING
- ULTIMATE SAFETY
- Auto lock
- Low profile
- Foot pedal
- Turbo Lifter System
- Hard chromed ram and pistons
- Rubber pad

Dual purpose lift/support



WATCH DEMO



| Specifications |        |
|----------------|--------|
| Min. H. =      | 75 mm  |
| Max H. =       | 500 mm |
| Width =        | 350 mm |
| Length =       | 705 mm |
| T              | 2      |
| KG             | 42     |





## Lifting equipment

### Y420250

Ultra low profile design combined with TURBO LIFTER technology. The PU wheels minimize noise and potential (showroom) floor damage. The jack starts at 75mm and reaches an impressive 510mm at maximum height.

A rubber grip and saddle are standard features. This low profile jack comes with heat-treated chromed pump pistons and chromed main ram.

#### Main features

- 2 SPEED LOWERING
- Turbo Lifter System
- Ultra low - 75 mm
- PU wheels
- Rubber pad

#### Specifications

|           |         |
|-----------|---------|
| Min. H. = | 75 mm   |
| Max H. =  | 510 mm  |
| Width =   | 343 mm  |
| Length =  | 686 mm  |
| 2 T       | 2 T     |
| 32,5 kg   | 32,5 kg |

Our Best  
Just got better!



### Y420330

Ideally configured for car dealers and universal workshops. The jack comes with noise reducing PU wheels, a rubber pad/grip and our TURBO LIFTER pump system. With a minimum height of 120mm and its compact size, this 3T jack is the right choice for car dealerships that look for attractive pricing, functionality and safety.

The release valve allows you to lower heavy loads in a controlled way. The main ram and both pistons are chrome plated. Winntec selected the best industrial grade seals and gaskets for its next best seller.

#### Main features

- 2 SPEED LOWERING
- Turbo Lifter System
- PU wheels
- Rubber pad

#### Specifications

|           |          |
|-----------|----------|
| Min. H. = | 120 mm   |
| Max H. =  | 450 mm   |
| Width =   | 344 mm   |
| Length =  | 618 mm   |
| 3 T (US)  | 3 T (US) |
| 31 kg     | 31 kg    |

Y490000  
GUARANTEED  
PERFECT  
FIT!  
Y490010EV

Excellent  
price-  
quality  
ratio



### Y420333



This jack offers the best possible specifications, which unites the ultra low profile design and high reach, our unique 2 SPEED LOWERING technology, TURBO LIFTER pump system, 3T capacity and noise reducing PU wheels. The highest quality of components will ensure maximum performance and life time.

#### Main features

- 2 SPEED LOWERING
- Low profile
- Turbo Lifter System
- PU wheels
- Rubber pad
- Foot pedal



WATCH DEMO



Y490000  
GUARANTEED  
PERFECT  
FIT!  
Y490010EV

### Y420336

Its 3.6T capacity and low entry height combined with a high reach of 540mm set this jack apart from its competitors. A rubber grip, Rubber pad and handle bumper are included.

The jack benefits from a fully welded power unit that shows chromed pistons and chromed main ram. Equipped with industrial quality polyamide wheels, dual speed lowering and TURBO LIFTER technology.

#### Main features

- 2 SPEED LOWERING
- Turbo Lifter System
- Rubber grip
- Polyamide wheels
- Rubber pad
- Welded pump

#### Specifications

|           |        |
|-----------|--------|
| Min. H. = | 76 mm  |
| Max H. =  | 503 mm |
| Width =   | 346 mm |
| Length =  | 672 mm |
| 3 T       | 3 T    |
| 37 kg     | 37 kg  |

#### Specifications

|           |          |
|-----------|----------|
| Min. H. = | 95       |
| Max H. =  | 540 mm   |
| Width =   | 350 mm   |
| Length =  | 687,5 mm |
| 3,6 T     | 3,6 T    |
| 38,5 kg   | 38,5 kg  |

Y490000  
GUARANTEED  
PERFECT  
FIT!  
Y490010EV



NEW!



**Y450350**  
**HIGHLY RECOMMENDED**  
**ACCESSORY!**  
 WORKS WITH MOST FLOOR JACKS



**Specifications**

|   |        |
|---|--------|
| Min. H =  | 217 mm |
| Max. H =  | 352 mm |
|  Capacity | 3,5 T  |
|  Weight   | 1,7 kg |

**MORE SPECS**  
**AND DETAILS**  
**SEE PAGE 31**

**WATCH DEMO**



**WINNTEC.NET**

# FAST LOCK JACK BLOCK

**We**  **Jacks**  
 Leading the lifting game since 2002



**EXPLORING**  
**WINNTECHNOLOGY**



**Y450350**  
**THE JACK STAND**  
**REVOLUTION**







Y490000 & Y490010EV  
**HIGHLY RECOMMENDED  
 ACCESSORIES!**  
 WORK WITH MOST OF OUR  
 FLOOR JACKS & COMPETITION

We <sup>Sold!</sup> 500,000 Jacks  
 Leading the lifting game since 2002



EXPLORING  
 WINNTECHNOLOGY



**PFAS  
 & PAHS  
 FREE**

**Specifications Y490000**

|                  |                                     |
|------------------|-------------------------------------|
| Top Ø =          | 137 mm                              |
| Height =         | 43 mm                               |
| 4 Base slots Ø = | 92 mm<br>104 mm<br>106 mm<br>118 mm |
| X-groove =       | 10/13 mm                            |
| Weight =         | 400 g                               |

**MORE SPECS  
 AND DETAILS  
 SEE PAGE 44**

**MADE OF  
 SUPER  
 STRONG**  
 ULTRA HIGH  
 MOLECULAR WEIGHT  
 POLYETHYLENE

**WINNTEC.NET**



**PFAS  
 & PAHS  
 FREE**

**Specifications Y490010EV**

|                  |                                     |
|------------------|-------------------------------------|
| Top Ø =          | 122 mm                              |
| Height =         | 20 mm                               |
| 4 Base slots Ø = | 92 mm<br>104 mm<br>106 mm<br>118 mm |
| Weight =         | 150 g                               |



# Lifting equipment

## Long Chassis Jacks

This range is designed especially for extreme heavy-duty lifting. It is perfect for servicing truck fleets, busses, farm- and heavy construction equipment and other vehicles that require a low starting point and a relatively high reach.

All models feature a foot-operated pump for quicker lifting efficiency, automatic overload safety valve and swivel casters for easy maneuvering around tight spaces. The ergonomic handle features an integrated load control knob which is in connection with a universal joint release valve.

### Main features

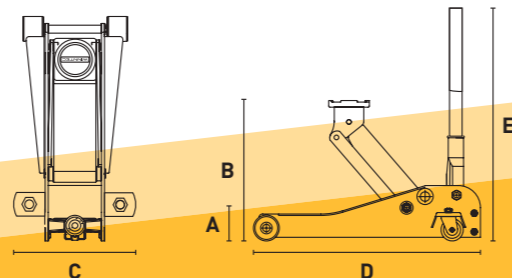
- Foot pedal
- Ergonomic handle



### Jack dimensions

A = Min. Height (mm) B = Max. Height (mm) C = Width (mm) D = Length (mm) E = Height (mm)

| Model   | A   | B   | C   | D      | E    | ⚙️   | 📊   |
|---------|-----|-----|-----|--------|------|------|-----|
| Y420200 | 138 | 800 | 396 | 1310,5 | 1285 | 2 T  | 58  |
| Y420301 | 130 | 600 | 325 | 1400   | 1330 | 3 T  | 65  |
| Y420500 | 150 | 680 | 366 | 1505   | 1345 | 5 T  | 90  |
| Y421000 | 160 | 680 | 485 | 1635   | 1355 | 10 T | 145 |



## Y432024 - Air Service Jack - Single Stage 24T

This single stage air service jack delivers a massive 24 Ton of power and comes with a unique 3 year warranty on its interior hydraulic and pneumatic components. It is designed to meet and exceed expectations of a quality jack at a very competitive market value.

The controller allows for the jack to ascend and descend with air. No more relatively unsafe, manual descending of heavy trucks! This Y432024 comes with 3 extensions (20mm-50mm-100mm) and is equipped with a 85mm extension screw. The heavy duty wheels have been designed for daily use.

### Main features

- Pneumatic descend
- Dead-man control
- Extension screw
- Hard chromed piston.



## Y432032 - Air Service Jack - Telescopic 32T

Dual stage air service jack with a low entrance height of just 150mm and hard chromed piston. With 32/16 Ton capacity and its compact dimensions, this jack is ideal for both workshop and road assistance duty.

The controller allows the jack to ascend and descend with air. This premium Y432032 is backed with 3 years warranty. Air controlled descent ensures maximum safety while dealing with heavy loads.

This Y432032 comes with 2 extensions (45mm-100mm). As an option we offer a 260mm extension which is a great help when lifting trailers.

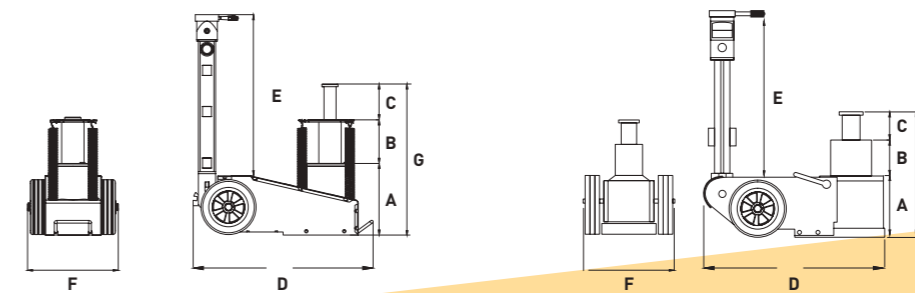
### Main features

- Chromed pistons
- 150mm entry height
- Compact body



## GT260MM

Extension 260mm for Y432032.



| Model   | A   | B   | C  | D   | E    | F   | G   | ⚙️      | 📊  |
|---------|-----|-----|----|-----|------|-----|-----|---------|----|
| Y432024 | 215 | 141 | 85 | 525 | 1240 | 265 | 441 | 24 T    | 40 |
| Y432032 | 150 | 73  | 66 | 480 | 1300 | 290 | 289 | 32/16 T | 38 |



# Lifting equipment

## Bottle Jacks

Versatile for use in a large variety of applications: pushing, bending, pressing or straightening. The full range comes with cast iron bases, polished main rams and a solid, chromed pump linkage. These jacks are tested to the latest European standards, have overload protection and can be used in both horizontal and vertical positions. All models (except Y413000 & Y411000) have a twist top for precise height adjustments. The **telescopic** Y411000 comes with two extensions (45mm+6mm). Winntec® guarantees a 3 years warranty due to internally machined oil passages, smooth bearing surfaces and close tolerances.



**Y411000**  
Telescopic model 10T



### Main features

- Chromed pistons
- Easy maintenance
- Heat-treated saddle



## Air Bottle Jacks

Premium quality 20T air & air/manual bottle jacks. These models feature a aluminum air motor, specially heat treated cylinder walls and chrome pistons ensuring premium performance, durability, life and safety. Filters prevent contaminants from entering the air/hydraulic system. **Y432003** can be stored vertically. **Y432021** offers no manually operated pump.

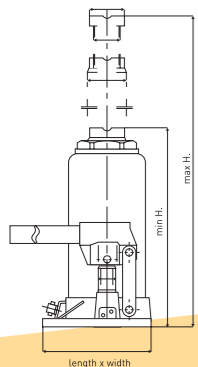


### Main features

- Welded base
- Extension screw
- High speed air motor
- Chromed ram

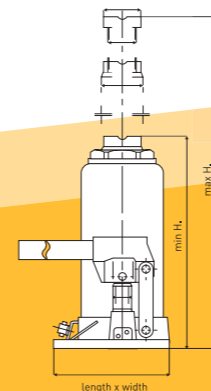
### Jack dimensions

| Model   | Base plate (mm) | Min H. (mm) | Lifting H. (mm) | Adjust H. (mm) | Max H. (mm) |      |      |
|---------|-----------------|-------------|-----------------|----------------|-------------|------|------|
| Y410200 | 96x93           | 158         | 90              | 60             | 308         | 2 T  | 2,3  |
| Y410400 | 112x104         | 180         | 110             | 60             | 350         | 4 T  | 3,3  |
| Y410600 | 116x116         | 197         | 125             | 60             | 382         | 6 T  | 4,4  |
| Y410800 | 120x120         | 205         | 125             | 60             | 390         | 8 T  | 5,4  |
| Y411000 | 180x118         | 120         | 100             | -              | 260         | 10 T | 6,4  |
| Y411200 | 140x135         | 214         | 125             | 60             | 399         | 12 T | 7,2  |
| Y411500 | 140x140         | 225         | 140             | 60             | 425         | 16 T | 8,3  |
| Y412000 | 155x140         | 244         | 145             | 60             | 449         | 20 T | 10,5 |
| Y412001 | 155x140         | 190         | 90              | 60             | 340         | 20 T | 9    |
| Y413000 | 175x160         | 285         | 180             | -              | 465         | 30 T | 14,6 |



### Jack dimensions

| Model   | Base plate (mm) | Min H. (mm) | Lifting H. (mm) | Adjust H. (mm) | Max H. (mm) |      |      |
|---------|-----------------|-------------|-----------------|----------------|-------------|------|------|
| Y432021 | 180x115         | 148         | 66.6            | 45             | 260         | 20 T | 9    |
| Y432020 | 220x175         | 245         | 150             | 80             | 475         | 20 T | 16.5 |
| Y432003 | 300x150         | 253         | 150             | 80             | 483         | 20 T | 25.7 |





## Lifting equipment

### Pneumatic Balloon Jacks

These pneumatic jacks have an internal telescopic stabilizer (ASTM-513 steel) providing lateral and vertical stability. A safety valve prevents from over inflation.

Light weight Winntec® balloon jacks are the preferred choice of tire shops and body shops because they can be easily placed on lifts. Moreover, these jacks lift extremely fast ensuring quick wheel changes.



Low profile

#### Y422002 Main features

- Ideal on 4 post lift
- PU pad
- Low profile
- 2 Stage

#### Specifications Y422002

|            |             |
|------------|-------------|
| A = 300 mm | A' = 360 mm |
| B = 125 mm | B' = 185 mm |
| D = 400 mm |             |
| 2 T        |             |
| 14,8 kg    |             |



EXPLORING WINNTECHNOLOGY

#### Y422012 Main features

- PU pad
- Low profile
- Store upright
- 2 Stage

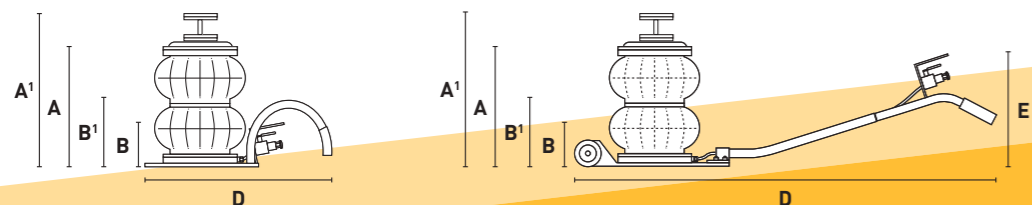


Long life & High speed

#### Specifications Y422012

|             |             |
|-------------|-------------|
| A = 300 mm  | A' = 360 mm |
| B = 125 mm  | B' = 185 mm |
| D = 1100 mm |             |
| E = 280 mm  |             |
| 2 T         |             |
| 16 kg       |             |

#### Jack dimensions

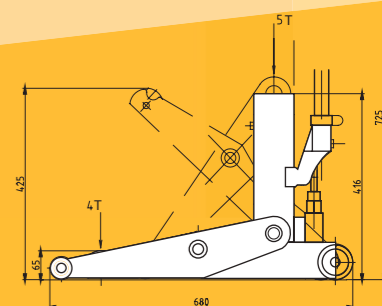


### Y454000 - Fork Lift Tractor Jack

Winntec® forklift jack with dual lifting points (4/5T), double speed function without load, chromed ram and chromed pump piston. Lower, extended arm is only 65mm for easy access under forklift trucks. The upright piston at 416mm is ideal for lifting tractors and farm machinery. Hydraulic lift 355mm on forklift arm and 350mm on upright piston. Special designed hydraulic pump with Japanese seal kits and overload valve. Removable handle and compact size.

#### Main features

- 2-Position lift pad
- High-strength frame work
- 2-speed



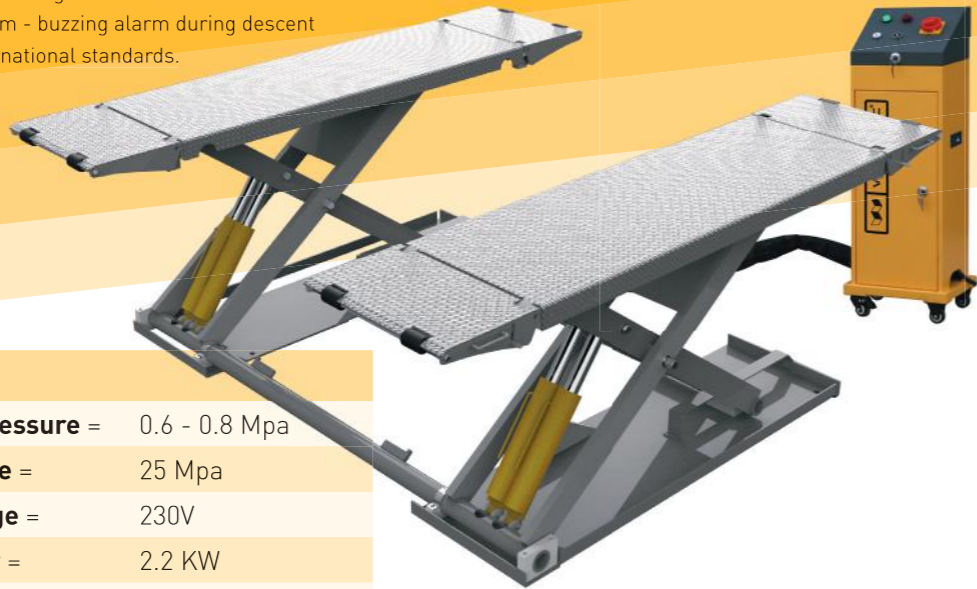
| Model   | Max H. (mm) | Min H. (mm) | Length (mm) | Height (mm) | T     | KG |
|---------|-------------|-------------|-------------|-------------|-------|----|
| Y454000 | 425         | 65          | 680         | 725         | 4-5 T | 45 |



# Lifting equipment

## Y475054 - Y475230 - Y475400 - SCISSOR LIFTS - ULTRA LOW

- On ground installation
- Extend to 2000mm which suits most cars and SUV's
- Automatic balancing of double tandem cylinders that are equipped with industrial Italian oil seals
- Self-lock function of dual circuit hydraulic system
- Integrated PLC computer controller with self-testing function
- Maximum/minimum cylinder protection system - buzzing alarm during descent
- Heavy framework of steel - rating meets international standards.
- Static powder coating



| Specifications          | Y475054                                   |
|-------------------------|---|
| <b>Width</b> = 480 mm   | <b>Operation pressure</b> = 0.6 - 0.8 Mpa |
| <b>Length</b> = 1400 mm | <b>Rated voltage</b> = 25 Mpa             |
| <b>Min. H.</b> = 105 mm | <b>Power voltage</b> = 230V               |
| <b>Max H.</b> = 1000 mm | <b>Motor power</b> = 2.2 KW               |
| 3500 kg                 | <b>Lifting time</b> = 50 - 60 sec         |
| 690 kg                  |   |



| Specifications          | Y475230 - Y475400                         |
|-------------------------|---|
| <b>Width</b> = 585 mm   | <b>Operation pressure</b> = 0.6 - 0.8 Mpa |
| <b>Length</b> = 1460 mm | <b>Rated voltage</b> = 25 Mpa             |
| <b>Min. H.</b> = 105 mm | <b>Power voltage</b> = 230V / 400V        |
| <b>Max H.</b> = 1900 mm | <b>Motor power</b> = 2.2 KW               |
| 3200 kg                 | <b>Lifting time</b> = 50 - 60 sec         |
| 810 kg                  |   |

## Y475052 - RAZZO1 1.8T

### Mini lift with mechanical safety lock

Work on your vehicle at the right height for bodyshops, garages, tire-shops, detailing & wraps. Extremely versatile lift, operated with a industrial, airhydraulic footpump, which allows you to quickly lift and support any small/large car, vans and SUVs.



### TECHNICAL DATA

|                                  |                 |
|----------------------------------|-----------------|
| Length (arms withdrawn)          | 1120 mm         |
| Length (arms extended)           | 1620 mm         |
| Operation                        | Hydro-pneumatic |
| Hydro-pneumatic pump calibration | 700 Bar         |
| Inlet air pressure               | 7-10 bar        |

### Specifications

|                         |
|-------------------------|
| <b>Min. H.</b> = 110 mm |
| <b>Max H.</b> = 630 mm  |
| <b>Width</b> = 400 mm   |
| <b>Length</b> = 1620 mm |
| 1,8 T                   |
| 113 kg                  |



WATCH DEMO

## Y475051 - IN-SYNCH2 2.5T

Our IN-SYNCH2 sets itself apart from other low-rise lifts because it offers open undercarriage access. It is portable and easy to maneuver. The remote control, connected with a industrial hydraulic pump, ensures smooth lifting and lowering.

As far as safety is concerned, our patented valve block guarantees perfectly in-sync lifting and lowering when dealing with heavy loads. Quick-connect fittings conveniently connect the pump and lifts (with long hoses), making it easy to assemble/disassemble and stow individual components.

### TECHNICAL DATA

|                                  |                  |
|----------------------------------|------------------|
| Frame width                      | 300 mm           |
| Frame Length (lowest position)   | 1910 mm          |
| Lifting point spread (Min.)      | 800 mm           |
| Lifting point spread (Max.)      | 1320 mm          |
| Operation                        | Hydro-pneumatic  |
| Hydro-pneumatic pump calibration | 350 Bar-5076 PSI |
| Inlet air pressure               | 7-10 bar         |

### Specifications

|                         |
|-------------------------|
| <b>Min. H.</b> = 85 mm  |
| <b>Max H.</b> = 455 mm  |
| <b>Length</b> = 1800 mm |
| 2,5 T                   |
| 95 kg                   |



WATCH DEMO





## Workshop equipment

### Y440104 - Foldable Crane

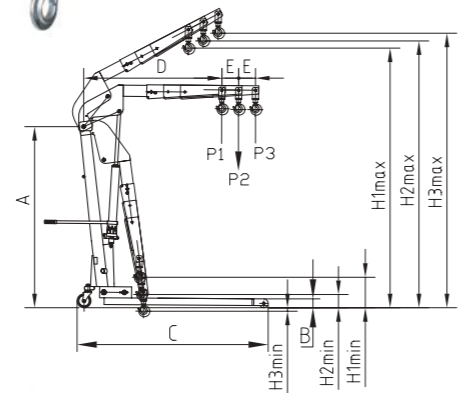
Constructed from heavy gauge and welded square tubular steel. The 2-speed hydraulic pump with chromed ram rotates up to 135 degrees ensuring the optimal working position. Fine adjustment lowering handle with dead man's control prevents from rapid uncontrolled lowering of load. Nylon wheels avoid floor damage. The arm has 3 pre-set positions (1000/750/500 kg) for lifting. Easy to maneuver in open or closed position due to unique supporting wheels at the front of the base plate. Crane is packed in wooden box.

#### Main features

- Hook with bearing
- Dead-man control
- Swivel pump



Low entrance height



| Capacity (kg) | P1    | 1000  |
|---------------|-------|-------|
|               | P2    | 750   |
|               | P3    | 500   |
| Specs (mm)    | A     | 1405  |
|               | B     | 80    |
|               | C     | 1499  |
|               | D     | 1009  |
|               | E     | 125   |
|               | H1min | 334   |
|               | H2min | 214   |
|               | H3min | 94    |
|               | H1max | 2120  |
|               | H2max | 2210  |
|               | H3max | 2300  |
|               | kg    | 74 kg |

### Y440105 - Leveler

Engine leveler with a maximum capacity of 550 kg constructed from durable drop-forged steel for long-lasting dependability and performance. It features heat-treat chains that are fully adjustable with a threaded rod. Comes with two 100cm load chains.



### Y440300 - Engine Support

Constructed of heavy-duty powder coated steel for durability, the 300 kg capacity engine support bar enables you to work on heavy automotive repairs, such as removing your transmission or transaxle.



| Specifications |         |
|----------------|---------|
| Height =       | -       |
| Width =        | 243 mm  |
| Length =       | 1500 mm |
|                | 300 kg  |
|                | 12,5 kg |



### Y450102 - Engine Stand

A time saver for passenger car and light truck engine rebuilding or repair. Four adjustable attachment arms make engine mounting fast and easy. Engine can be rotated a full 360° with a turn of the handle, a locking pin secures the work in any of the 8 positions.

The leg design prevents the stand from tipping over while holding the engine block. The front swivel casters allow proper positioning.

#### Main features

- "H" shape base for stability
- Fully adjustable 360° support



Shop must-have

COMING SOON!

| Specifications |        |
|----------------|--------|
| Height =       | 860 mm |
| Width =        | 750 mm |
| Length =       | 760 mm |
|                | 450 kg |
|                | 19 kg  |

### Y451555 - High Lift Transmission Jack

Their wide base provides superior stability under load. A highly efficient pump system ensures a fast and precise approach. For use in pits and underneath elevated vehicles. Suitable for installing and dismantling gearboxes, motors & couplings.

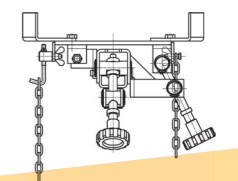
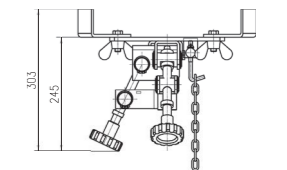
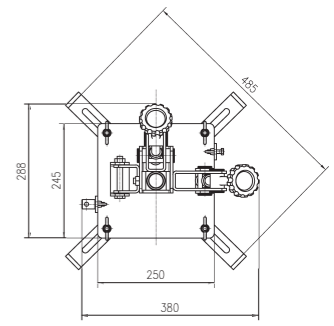
#### Main features

- Dead-man control
- Wide base with swivel wheels
- Fast approaching speed
- Block foam to protect vehicle parts
- Turnable saddle

High stability



### Y451555 ADAP




| Model        | Min H. (mm) | Lifting H. (mm) | Max H. (mm) | Height (mm) | Width (mm) |        |      |
|--------------|-------------|-----------------|-------------|-------------|------------|--------|------|
| Y451555      | 1171        | 817,5           | 1988,5      | 573         | 542        | 550 kg | 31,2 |
| Y451555 ADAP | -           | -               | -           | -           | -          | -      | 11   |

**Specifications Y452205**

**Min. H =** 402 mm

**Max. H =** 575 mm

 22 T

 42,4 kg

**MORE SPECS  
AND DETAILS  
SEE PAGE 33**

Leading the lifting game since 2002



**EXPLORING  
WINNTECHNOLOGY**





Never compromise safety

## Jack Stands

Choose from a selection of heavy-duty jack stands with either ratchet-type or pin-type support columns, both of which provide comfortable support and flexibility via heavy-duty contact saddles and wide feet. A must-have in all garages and workshops.

### Y451600 - 6T Main features

- Ratchet type
- Base with foot pads
- Positive lock/handle carrying



### Y450301 - 3T Main features

- Ratchet type
- Base with foot pads
- Positive lock/handle carrying



### Y452300 - 3T Main features

- Pin type
- Large PU support pad



### Y452600 - 6T Main features

- Pin type
- Large PU support pad



### Y451205 - 12T Low Profile Jack Stand Set

Low profile jack stand with handle and wheels for easy positioning under the vehicle. The pin type support column adjusts to five different height positions. A 22cm square base secures and stabilizes load.

#### Main features

- Pin type
- Nylon wheels
- Handle low profile



## FAST LOCK JACK BLOCK

### Y450350 - 3.5T Fast Lock Jack Block

The Fast Lock Jack Block is the ultimate solution for transforming your floor jack quickly into a secure jack stand. It extends 217mm to 342mm and is equipped with a spring release for easy positioning.

Must Have for quickly and safely supporting all kinds of vehicles. Especially those that don't show multiple lift/support points. Highly recommended for those workshops and mobile operators that service EV's.



WATCH DEMO

#### Specifications

|          |        |
|----------|--------|
| Min. H = | 217 mm |
| Max. H = | 352 mm |
|          | 3,5 T  |
|          | 1,7 kg |

### Y452330 - 3T

Our toughest stand offers a large base of 310 mm ensuring maximum stability. The stand is equipped with a thick, round, replaceable rubber pad showing a diameter of 100 mm.

NEW!

Just 300 mm min. height. Recommended for Model 3 and Mach-E



NEW!

### Y452205 - 22T Low Profile High Capacity

Heavy duty, welded, wheeled jack stand set with detachable handle. Multi-angle handle sockets ensure easy storage and safe positioning under the vehicle.



### Y451206 - 12T High Reach Jack Stand

Heavy duty, high reach welded jack stand with detachable handle, multi-angle handle socket and wheels for easy positioning under the vehicle.

The pin type support column adjusts to various height positions up to 971mm making it suitable for both tire service and general trailer service jobs where chassis support is needed. Sold by single piece.



#### Main features

- Nylon wheels
- Pin type



| Model   | Min H. (mm) | Max H. (mm) | W     | L   | Ø (mm) |      |      |
|---------|-------------|-------------|-------|-----|--------|------|------|
| Y450301 | 305         | 450         | 185   | 209 | -      | 3 T  | 7    |
| Y452300 | 322         | 465         | -     | -   | 254    | 3 T  | 5,2  |
| Y452330 | 300         | 451         | 279,5 | -   | 310    | 3 T  | 9    |
| Y451600 | 395         | 625         | 263   | 293 | -      | 6 T  | 13,8 |
| Y452600 | 404         | 604         | -     | -   | 341    | 6 T  | 11,2 |
| Y451205 | 302         | 450         | 280   | 220 | -      | 12 T | 20   |
| Y451206 | 601         | 971         | 423   | 370 | 341    | 12 T | 29,2 |
| Y452205 | 402         | 575         | 333   | 280 | -      | 22 T | 42,4 |



## Workshop equipment

### Y471105 - Wheel Dolly

This industrial quality wheel dolly increases productivity in the shop by offering a fast & efficient way to remove tire/wheel assemblies. Its ergonomic design helps to reduce back strain injuries.

The extended rollers (ideal with wide base tires) can be installed in 3 positions depending on the wheel size. The roller bearings are of Japanese origin. The rubber wheels have an all new and unique steel core providing optimal life time performance.

#### Main features

- Quick detach handle
- Extended rollers - 290mm



WATCH DEMO

#### Specifications

|               |         |
|---------------|---------|
| Frame width   | 700 mm  |
| Handle length | 1000 mm |
| Weight        | 220 kg  |
| Lock weight   | 15 kg   |



### Y471106 - SAFERGO Truck Wheel Dolly

This lightweight, portable dolly has a compact hydraulic unit that ensures precise positioning. It also allows the operator to work on a very short distance from the vehicle which is crucial during road assistance service work.

Its shock absorbing casters ensure a smooth ride from and to the hub on a rough surface. Winntec delivers you once again affordable ergonomics without affecting operation speed.



#### Specifications

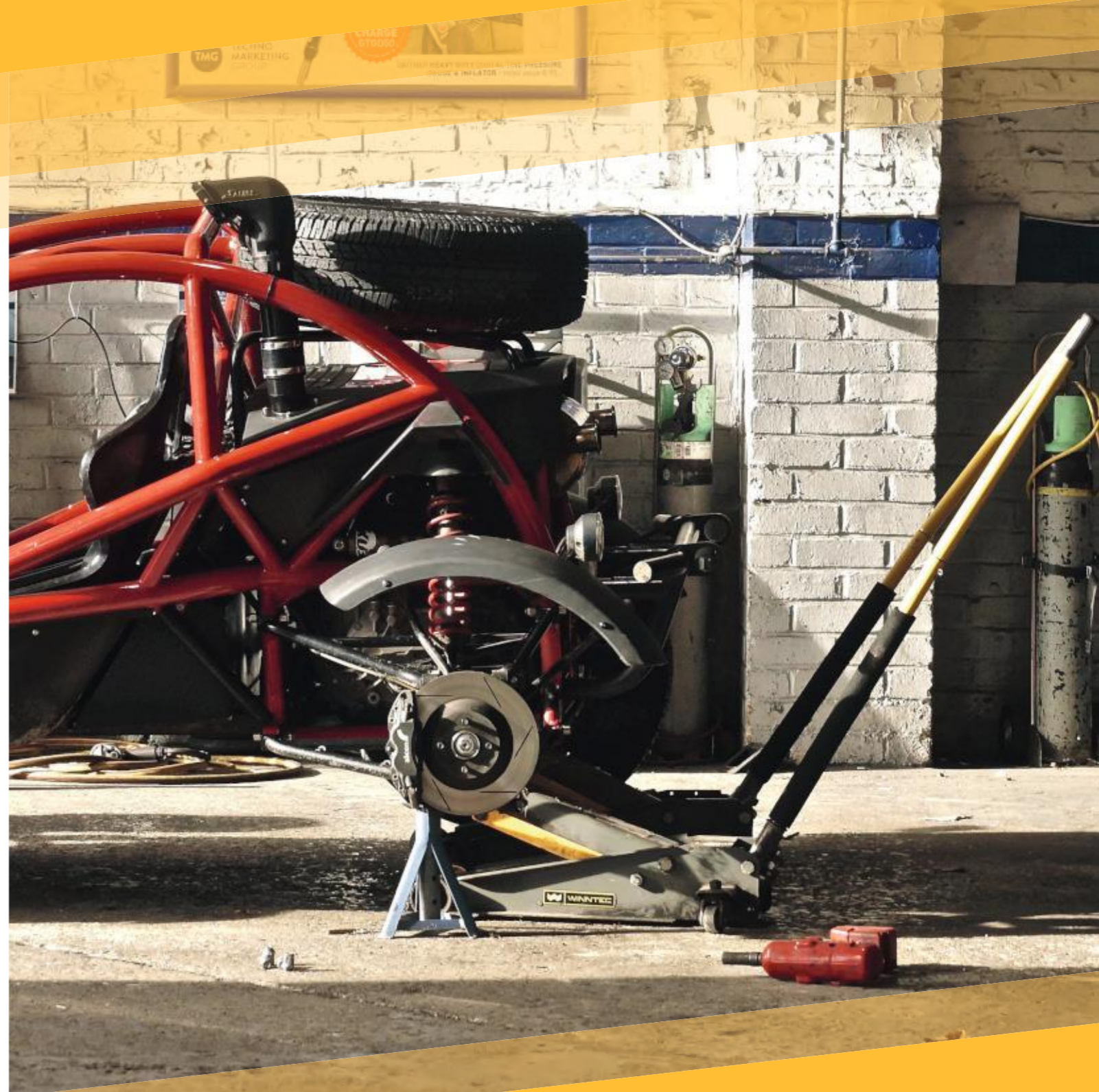
|              |        |
|--------------|--------|
| Frame width  | 900 mm |
| Frame depth  | 450 mm |
| Frame height | 310 mm |
| Weight       | 160 kg |
| Lock weight  | 29 kg  |



WATCH DEMO

#### Main features

- Carry handle & belt
- Maximum mobility
- Fast positioning



© topgear.com

**We** **Jacks**  
 Leading the lifting game since 2002



## Workshop equipment

### M499440 - Foldable Creeper/Seat

Extra long, foldable workshop creeper/seat with 7 HD wheels for easy maneuverability. Thick padded cushions, for both the seat and headrest, create a comfortable base for easy access and movement during your maintenance tasks.



#### Specifications

**Length** = 1200 mm

**Width** = 410 mm

**Height** = 140 mm

115 kg

12 kg

### Y491110 - Mechanic Gloves

The Winntec® Mechanic Glove is a sturdy glove with protectors for professional work in the workshop, assembly, handling of machines and materials. **Sizes: M - L - XL**

#### Main features

- Impact protection
- Slip free silicone grip
- Double stitched
- Industrial hook and loop
- Machine washable



### Y491310 - Precision Gloves

Winntec® Precision Glove is perfect for a variety of automotive service jobs that demand a 'fine touch'.

We've selected the most sensitive Polyurethane synthetic leather for the palm with a touchscreen functional PU material on the index finger. The back is made with comfortable nylon/spandex rib and polyester air mesh. The cuff closes with velcro and is partially reflective. **Sizes: L - XL**

#### Main features

- Fine Touch
- Anti Slip
- Breathable stretch
- Abrasion resistant
- Terrycloth thumb
- Touch screen proof



## Merchandise - We support your marketing activities!

Y490025 - 2D-XL Keychain

JTM120220 - 2D-XL Keychain

Y490088 - Cap (L-XL)



### M120110 SMART CHARGER



#### MAIN FEATURES

1. VEHICLE VOLTAGE INDICATOR 12 - 24V
2. USB-A3.0 - USB-C
3. FAST CHARGING
4. ALLOY CASING
5. LED LIGHT

### Y490033 - Warmer/Cooler Lunch Bag



Great promo product!

### Y490022 - Waterproof Backpack XL

This robust waterproof backpack is ideal for all conditions. Whether you live in a rainy environment or are snowed under all year round, this waterproof backpack protects your personal belongings, whatever the weather.

The Winntec® Y490022 is made of 100% waterproof materials and all seams are welded so that no water can leak through. The roll-top closure provides extra protection against the elements while you still have quick access to your belongings.

The spacious main compartment offers ample storage space, while being splash-proof, externally zipper pocket contains your essential supplies such as wallet, telephone and keys.

#### Main features

- 100% PVC
- Waterproof
- Floats
- Extra spacious



**WINNTEC®**

# LIFTOFF



**WINNTEC.NET**



**We** Sold! **500,000** **Jacks**  
 Leading the lifting game since 2002



**EXPLORING  
WINNTECHNOLOGY**



# Workshop equipment

## Industrial Presses

Our range of presses with welded frame are suitable for standard pressing, bending, bonding and straightening jobs. Essential for the removal/installation of universal joints, bearings, pulleys, and wrist pins. 2 V-blocks for easy and secure positioning are included.



Y461516

### Main features

- Bench model
- Double speed hand pump
- Sliding cylinder
- Feet with holes for fixation
- Optional: punch set



Y461520

### Main features

- 2-speed hand pump
- Optional: punch set and protection cover



Y461533

### Main features



- 2-speed hand pump
- Movable cylinder (left-right)
- Pneumatic foot operation
- Optional: punch set and protection cover



Y461555

### Main features

- 2-speed hand pump
- Pneumatic foot operation
- Movable cylinder (left-right)
- Optional: punch set and protection cover

| Model   | Height (mm) | Depth (mm) | Width (mm) |  T |  KG |
|---------|-------------|------------|------------|---|--|
| Y461516 | 1015        | 134        | 678        | 15 T  | 57,5   |
| Y461520 | 1830        | 540        | 850        | 20 T  | 101  |
| Y461533 | 1850        | 540        | 840        | 30 T  | 137  |
| Y461555 | 1850        | 650        | 1080       | 50 T  | 244  |



Y461516-PC / Y461520-PC / Y461533-PC / Y461555-PC  
Protection cover



Y461533-PS  
Punch set



## Workshop equipment

### Y444000/Y444100 - Collision Repair Sets

Both 4T (Y444000) and 10T (Y441000) include solid blow cases, chromed rams/pistons and safety valves to prevent from overloading. Their heavy gauge snap-together pipework and cast attachments are compatible with most leading brands of body repair equipment.

#### Supplied with the following parts:

Single Speed Hand Pump • Cylinder (100 mm stroke Y444000 - 150 mm stroke Y444100) • Hose • Ram Flat Base • Spreader • 100 mm Extension Tube • 150 mm Extension Tube • 300 mm Extension Tube • 400 mm Extension Tube • Tube Coupling • Ram Toe • Wedge Head • Serrated Saddle • Flex Head • Plunger Toe • 90 Degrees Wedge Head • Storage Case.

#### Main features

- Quick lock for fast assembly and disassembly
- Spring guards at hose end
- Thick walled extension tubes

| Model   | Cylinder (mm) | ✂️   | 📏  |
|---------|---------------|------|----|
| Y444000 | 100           | 4 T  | 17 |
| Y444100 | 150           | 10 T | 31 |



Y444000



### Y471150 - Air Hydraulic Pump 1600 cc

For use with a variety of rams, presses and hydraulic tools operating up to 700bar/10.000 psi. Air exhaust muffler for quiet operation. Aluminum housing.

Two stage release mechanism; pump, hold or release with pedal control. Air inlet 1/4, outlet 3/8. Working pressure 6-10 bar. Weight: 7,9 kg.



Low operating force

Y4781155

### Y4781155 - Single Acting 2-Speed 900 cc 70 Mpa

Light weight, high flow industrial pump with baked enamel finish to increase corrosion resistance. The compact design ensures efficient storage and transportation. Less handle effort to minimize operator's fatigue. Internal pressure relief valve prevents from overload situation. Industrial 3/8-18NPT outlet. Weight: 6,8 kg.

### Y4781107 - Single Acting Cylinder 42-52mm 10T

High strength alloy steel for maximum safety and durability. Collar thread on high model enables easy fixture. Unique heavy duty spring provides fast piston return. Industrial 3/8-18NPT connections. Weight: 1,5 kg.



Y4781107

### Y478205 - Hose Assembly 2,50 mt

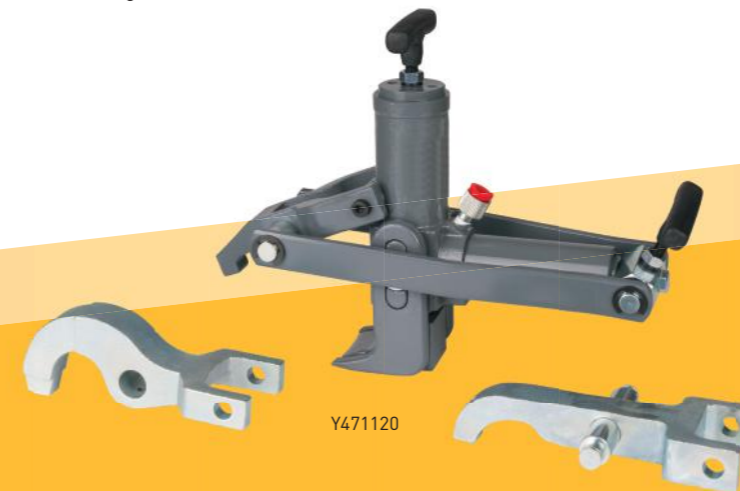
Compatible with Y471150 and Winntec Bead Breaker model Y471120.



Y478205

### Y471120 - Hydraulic Combi Bead Breaker 5T

Designed to work on all single, two and three pieces 2-5-10 hole budd, 7.50x16s and all tubeless tire/rims. Includes 3 claws. Working range up to 120mm. Self retracting. Durable anti-corrosive finish.



Y471120

Avoids injuries - saves time

### Y471180 - Wheel Removal kit

This kit eliminates one of the most dangerous jobs within the tire service industry: WHEEL REMOVAL! Alloy and light steel wheels are often frozen (glued) to the vehicle.

This ready-to-use kit includes a case, cylinder, pump, hose and a variation of adaptors to be installed depending on the space between the wheel and the chassis of the vehicle. With 10 Ton of hydraulic power and manual control of the foot pump, it becomes a safe and quick job to press the oxidized wheel from the vehicle.

#### Main features

- All-in-one solution
- Foot operated
- Metal case

| Specifications |         |
|----------------|---------|
| Height =       | 150 mm* |
| Width =        | 480 mm* |
| Depth =        | 235 mm* |
| ✂️             | 10 T    |
| 📏              | 15 kg   |

\* Case Dimensions





## Liftpads

### Y490000 - Liftpad X

LIFTPAD helps to lift safely & reduces the risk of damaging your vehicle's chassis and lifting point! Works with most floor jacks.

Perfect fit guaranteed with Winntec models Y411202, Y420250, Y420303, Y420330, Y420333, Y420336.

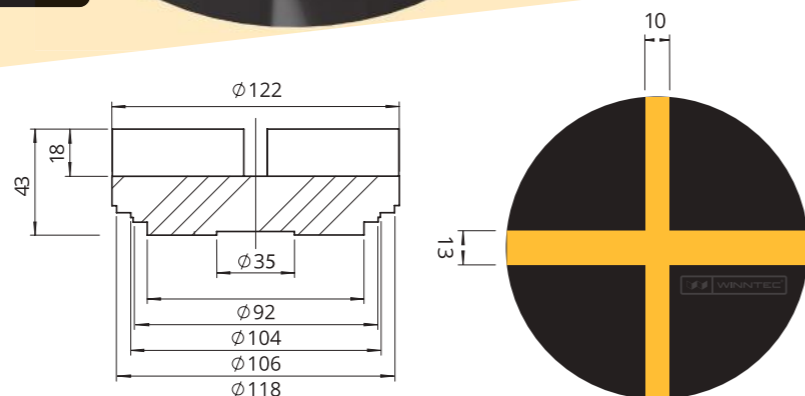
#### Main features

- Universal fit
- Avoids frame rail damages
- Avoids lift point deformation
- PFAS & PAHS FREE!



#### Specifications

|                  |                                     |
|------------------|-------------------------------------|
| Top Ø =          | 122 mm                              |
| Height =         | 43 mm                               |
| 4 Base slots Ø = | 92 mm<br>104 mm<br>106 mm<br>118 mm |
| X-groove =       | 10/13 mm                            |
|                  | 400 g                               |



### Y490010EV - Liftpad EV

Liftpad EV is a must have accessory while lifting vehicles that require a lift adapter. The pad offers a 15 mm deep slot that shows a 75 mm diameter. The slot's dimensions ensure that the majority of brand specific lift adapters will fit. Liftpad is equipped with magnets at its base. The overall height of the pad is just 20 mm. Works with most floor jacks. Perfect fit guaranteed with Winntec models Y411202, Y420250, Y420303, Y420330, Y420333, Y420336

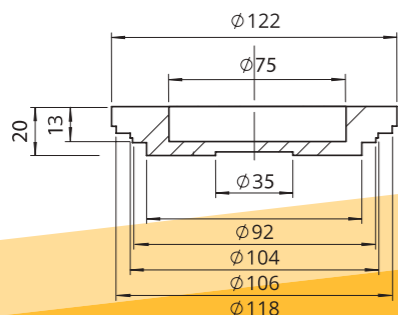
#### Main features

- Holds the majority of adapters\* in the market
- Avoids costly damages
- **MUST HAVE** when lifting EV's
- PFAS & PAHS FREE



#### Specifications

|                  |                                     |
|------------------|-------------------------------------|
| Top Ø =          | 122 mm                              |
| Height =         | 20 mm                               |
| 4 Base slots Ø = | 92 mm<br>104 mm<br>106 mm<br>118 mm |
|                  | 150 g                               |

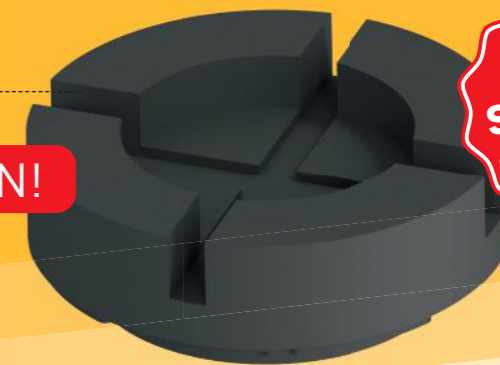


\* Adapters not included!



### Y490020 - Multi-Purpose Liftpad for Y411350 & M411355

**NEW! COMING SOON!**



## Rubber Saddle Pads

### Y411202-45

Fully covering rubber saddle for Y420250, Y420330, Y420333, Y411202.



### Y411350-42

Fully covering rubber saddle for Y411350.



### Y420250-34

Inlay rubber saddle for Y420250, Y420330, Y420333.



### Y420336-42

Inlay rubber saddle for Y420336.



## cube SERVICING FUTURE MOBILITY. MOBILE!



MANUFACTURED BY OUR SISTER COMPANY

- Requires just 1.1m<sup>2</sup> of floor space
- Lightweight
- No disturbing noise or fumes
- Specifically designed for mobile service market
- Temperature controlled 48V Lithium powerbank starting from 2.6 kWh
- Works on a wide range of tire sizes
- Guarantees workshop quality on your customer's driveway
- AC/DC & 12V DC/DC charging - solar optional
- Service friendly
- The heart of your mobile service platform
- Bring the WOW factor to your customer

- Preferred choice of various international car & tire manufacturers and their networks
- Designed, engineered & manufactured in The Netherlands



**YOU ARE IN-CONTROL TECHNOLOGY (INTERNATIONAL PATENTS PENDING)**  
One machine! Two operation methods - **LEVER OR LEVERLESS!**





EXPLORING  
WINNTECHNOLOGY







Winntec® is a brand owned by TMG  
Rechtzaad 6, 4703 RC Roosendaal  
The Netherlands  
+31 165 561 613 | info@winntec.net

winntec.net

We  Jacks

